



REFRIGERATION
PUMP RANGE

THE PUMP RANGE

POLARBLUE™

Designed for small free standing fridges.



(Page 19)

ARCTIKBLUE®

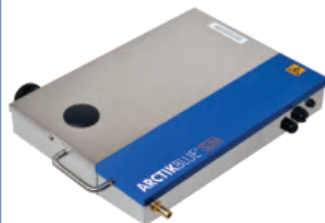
Designed for standard model fridges.



(Page 21)

ARCTIKBLUE® SLIM

Designed for space premium fridges.



(Page 20)

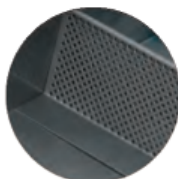
THERMISTOR SENSOR (ENERGY EFFICIENT)



The presence of condensate trips the hi-low solid state level sensors to switch the pump on/off. This means that the pump is run only when condensate is produced and the alarm shuts off the unit in the case of a fault, restarting when clear.

The slim filter probe, which houses the water sensors and high level alarm has no moving parts to become clogged or stuck making it an ideal alternative to existing float switches.

FILTRATION



Protecting the sensors is our swap out guard, the filter element can be changed over as a complete assembly during preventative maintenance service schedules. The main tray is also protected against objects larger than Ø2.5mm allowing the pump to remove condensate, sludge and debris.

PUMPS SLUDGE & SLIME

A common problem with refrigeration units is the build-up of slime and sludge. What others see as a problem that can be solved by after market cleaning products, our patented design can simply pump and remove that from the system without premature failure.



PERFORMANCE

MAX FLOW	MAX HEAD
14 L/ HOUR	8 METRES

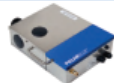
A compact and slim unit designed for mounting directly underneath 'Grab & Go' display units. Specifically designed to offer the most energy efficiency solution for smaller convenience stores. The POLARBLUE™ maintains the required flexibility when changing the store layout. The POLARBLUE™ is a great solution to limited space applications with its low profile.

Designed for:
Small drink cabinets



POLARBLUE®

X87-846



WATER TANK CAP.	PUMP ON/ OFF	ALARM ON VOL.
3 LITRES	330 ML	2000 ML



**SPACE
CONSCIOUS**

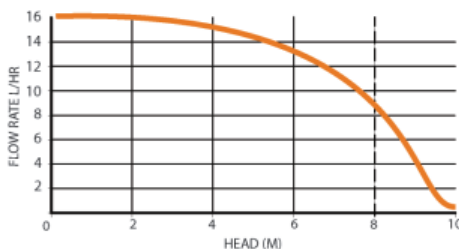
The POLARBLUE™ is half the size of the ARCTIKBLUE® range making it ideal for space conscious applications such as small free standing fridges.



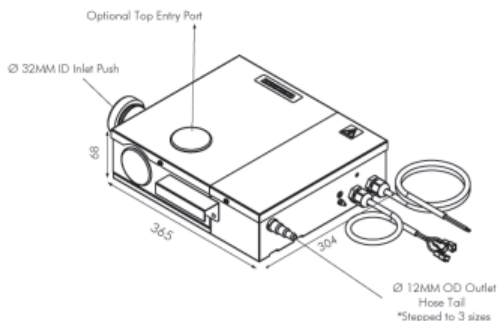
**CAN PUMP
SLUDGE**

The POLARBLUE™ has the unique capability of being able to pump sludge that commonly builds up in refrigeration units.

PERFORMANCE



DIMENSIONS (MM)



ALARM SIGNAL	MAX ALARM RATING
0 volt relay	5A 250v AC

INPUT VOLTAGE

230V AC, 50/60 Hz

INLET FITTING	OUTLET FITTING
Ø 32MM ID PUSH FIT CONNECTOR	Ø 12MM OD HOSE TAIL STEPPED 3 SIZES
	Ø 9.5MM (5/8")
	Ø 12.7MM (1/2")
	Ø 15.5MM (3/8")

PERFORMANCE

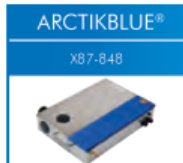
MAX FLOW	MAX HEAD
50 L/ HOUR	20 METRES

*LOWEST PROFILE UNIT ON THE MARKET (68MM)

The market leading lowest profile dairy pump available. The ARCTIKBLUE Slim easily sits below even the lowest profile kick-plates. Utilising the same pump as the already proven standard ARCTIKBLUE the performance and capability to pump the slime, dirt and debris remains the same. Incorporating a low profile dairy pump into the design of a cabinet gives the advantage of additional refrigerated retail space.



WATER TANK CAP.	PUMP ON/ OFF	ALARM ON VOL.
4.1 LITRES	330 ML	3600 ML



**LOW
PROFILE**

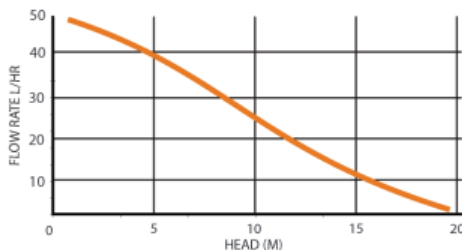
The ARCTIKBLUE® SLIM has been specially adapted to fit under low profile cabinets where space is at a premium. Reducing the need to bore the trays into the ground.



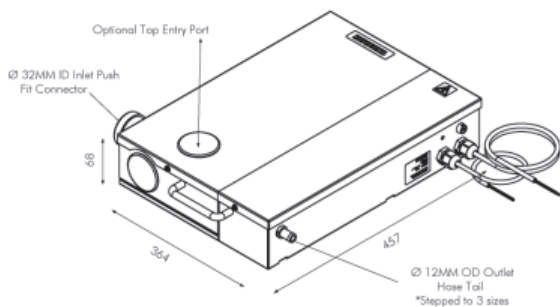
**QUICK
INSTALLATION**

The ARCTIKBLUE® SLIM has a minimum amount of components when setting up. Fewer components means less time wasted on installation.

PERFORMANCE



DIMENSIONS (MM)



ALARM SIGNAL	MAX ALARM RATING
0 volt relay	5A 240v AC

INPUT VOLTAGE

230V AC, 50/60 Hz

INLET FITTING	OUTLET FITTING
Ø 32MM ID PUSH FIT CONNECTOR	Ø 12MM OD HOSE TAIL STEPPED 3 SIZES
	Ø 9.5MM (5/8")
	Ø 12.7MM (1/2")
	Ø 15.5MM (3/8")

PERFORMANCE

MAX FLOW	MAX HEAD
50 L/ HOUR	20 METRES

Designed for:
Large industrial fridges



Proven in service the ARCTIKBLUE® incorporates the MEGABLU® pump in a tough steel tray. Eliminating stuck float switches, the use of the BLUEDIAMOND® thermistor technology quickly and efficiently removes all the condensate from the dairy pan, reducing the conditions that allow organic growth to build up and block drains.



WATER TANK CAP.	PUMP ON/ OFF	ALARM ON VOL.
4.1 LITRES	330 ML	3600 ML



**DURABLE
DESIGN**

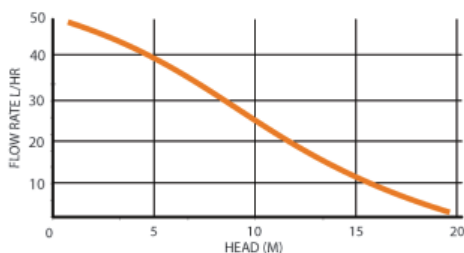
Thanks to a strong steel casing the ARCTIKBLUE® can withstand far rougher treatment than many other cabinet pumps on the market.



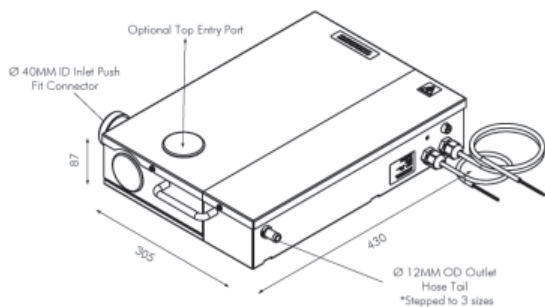
**CAN PUMP
SLUDGE**

The ARCTIKBLUE® has the unique capability of being able to pump sludge that commonly builds up in refrigeration units.

PERFORMANCE



DIMENSIONS (MM)



ALARM SIGNAL	MAX ALARM RATING
0 volt relay	5A 240v AC

INPUT VOLTAGE

230V AC, 50/60 Hz

INLET FITTING	OUTLET FITTING
Ø 40MM ID PUSH FIT CONNECTOR	Ø 12MM OD HOSE TAIL STEPPED 3 SIZES
	Ø 9.5MM (5/8")
	Ø 12.7MM (1/2")
	Ø 15.5MM (3/8")

SWAP OUT KITS

POLARBLUE™ SWAP OUT KIT



APPLICATION



The POLARBLUE swap out kit consists of the replacement pump and sensor. Its versatile design enables it to pump debris and slime without hampering its performance.

ARCTIKBLUE® SWAP OUT KIT **SLIM**



APPLICATION



The ARCTIKBLUE SLIM swap out kit consists of the replacement pump and sensor. With the ability to pump up to 50 L/hour. The ARCTIKBLUE SLIM uses a faultless design enabling it to maintain a powerful flow.

ARCTIKBLUE® SWAP OUT KIT



APPLICATION



The ARCTIKBLUE swap out kit consists of the replacement pump and sensor. The ARCTIKBLUE has the ability to pump up to 50 L/hour and uses the patented rotary diaphragm technology to run dry, self prime and pump debris.